



CHAPTER 2: PROFI BENCHES

- | | | | |
|------------|---------------------------------------|------------|---|
| 018 | Recommended Colors | 040 | X-Lift Bench Duo |
| 020 | Workbench | 043 | PROFI Corner Elements |
| 022 | Laboratory Bench | 046 | Cable Tray for PROFi Corner Element |
| 024 | Attachment - and Intermediate Bench | 048 | Meeting Corner and ESD Meeting Table |
| 026 | PROFI Bench with Power Legs | 049 | Height Adjustable PROFi Corner Combination |
| 028 | Cable Tray and Rear Paneling | 050 | Power Strips |
| 029 | PROFI Cross Profile and Foot Rest | 052 | Cable Access Elements and Ventilation Grilles |
| 032 | PROFI Cantilever Bench | 053 | Cable Clamp and Brush Channel |
| 034 | C-Lift-Bench | 054 | PC Support, Keyboard Drawer, Keyboard Extension |
| 036 | Spacers for Height Adjustable Benches | 055 | Height Adapter and Heavy Duty Levelers |
| 037 | Casters for Height Adjustable Benches | 056 | Bench Connector and Floor Fixation |
| 038 | X-Lift Bench Quattro | 057 | Slot Cover and Extra Cable Guide |

THREE STRONG PROFILES FOR INCOMPARABLE FLEXIBILITY



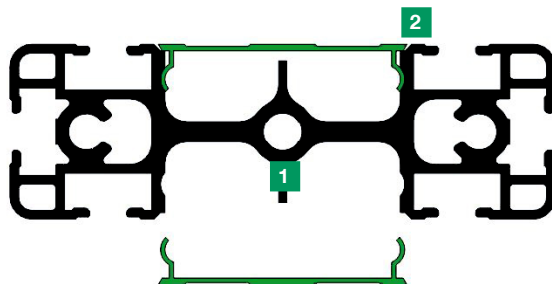
SINGLE Profile

- 1 very stable, closed aluminium profile 125 x 40mm
- 2 vertical slots for the attachment of accessories
- 3 the profile allows unlimited extensions



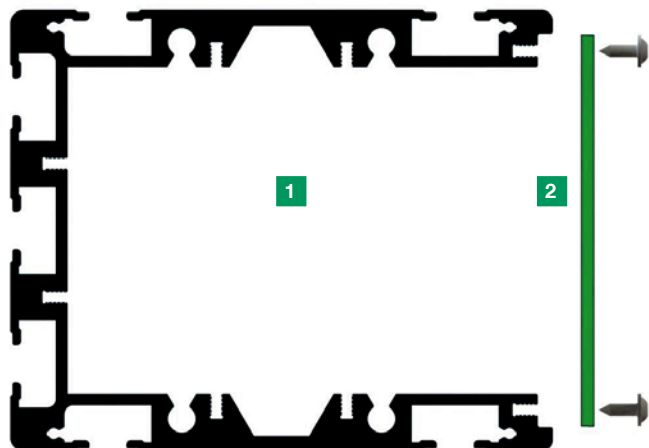
MULTI Profile

- 1 open aluminium profile with same outline than the SINGLE profile
- 2 both sides with clipped aluminium covers for cable integration



ENERGY Profile

- 1 flexibly equipable aluminium profile 125 x 102mm
- 2 for the modular acceptance of KP modules, the profile can be used in horizontal or vertical position



RECOMMENDED COLORS FOR THE PROFI WORKSTATION

Standard color of the chipboard parts, as well as the supporting sheet steel parts is light grey RAL7035. For the aluminium bench legs and extensions you can choose between light grey RAL7035, anthracite RAL7016 or the below listed recommended colors. If you prefer other RAL colors, please ask for our possibilities. All recommended colors are not subject to any surcharges.



fine structure RAL7016

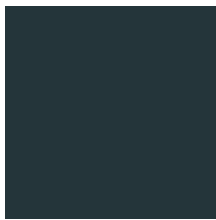
glossy RAL7016

fine structure RAL7035

glossy RAL7035

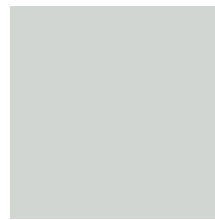
RAL-No. 7016 antracite

fine structure & glossy



RAL-No 7035 light grey

fine structure & glossy



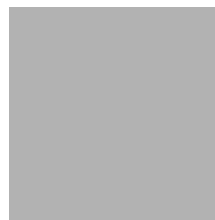
RAL-No. 7042 traffic grey A

glossy



RAL-No. 9006 white aluminium

glossy



RAL-No. 5002 ultra marine

fine structure & glossy



RAL-No. 5014 pidgeon blue

glossy



RAL-No. 5010 gentian blue

glossy



RAL-No. 5023 distant blue

fine structure



RAL-No. 5003 sapphire blue

glossy



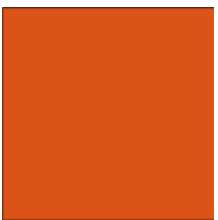
RAL-No. 5018 turquoise

glossy



RAL-No. 2009 traffic orange

glossy



RAL-No. 6029 mint green

fine structure



RAL-No. 3020 traffic red

glossy



RAL-No. 3003 ruby red

glossy



A GOOD BASE TO BUILD ON: SOLID AND VIBRATION-FREE

PROFI WORKBENCH

- Bench height: 780mm.
- Extraordinary stable bench frame made of tubular steel and middle section. Sides with sleeves for a flush, vibration-free connection of the bench legs. Both sides with thread inserts for the acceptance of suspended containers.
- Hardwearing, light grey 30mm thick bench top (multilayer chipboard according to DIN EN ISO 13894-1. Upper side with 0,8mm high pressure laminate according to DIN EN 438-2), all sides with 3mm PP plastic edge.
- Front edge available in three different versions.
- Four aluminium bench legs with 6 surrounding slots, integrated cable channels, channel covers and leveling screws.
- The front legs are made of SINGLE profile and can be placed further to the rear for unhindered legroom in corner combinations. For the modular acceptance of extensions the bench tops are with bench leg cutout.
- For an easy cable guidance and flexible cable outlet the benches are optionally available with MULTI profile as rear-sided bench legs.
- Durable powder coated according to RAL Code.



Your Advantage of the bench frame:

- high stability due to closed tubular steel frame
- distributed load: 500kg
- durable powder coating



Cable Inserts flexibly positioned:

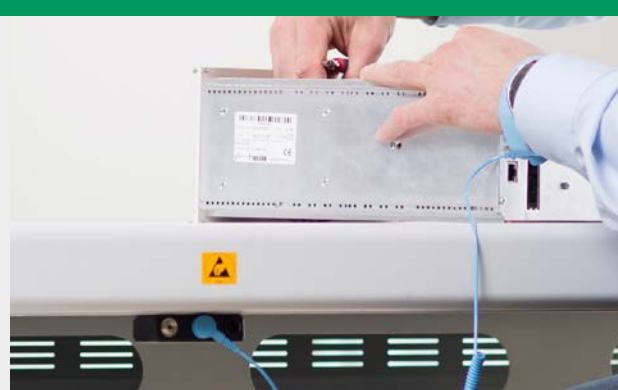
- **419.061.000:** Ø 80/92mm, light grey
- **419.062.000:** Ø 60/72mm, light grey



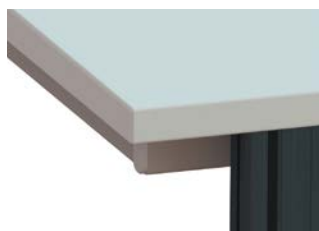
ESD Version



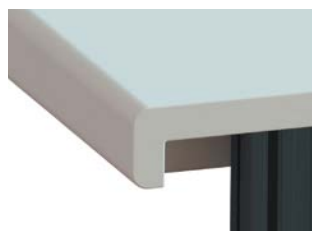
- earthing box with press stud for wrist bands, mounted left or right side of the bench frame
- Volume conductive 3-layer chipboard with conductive HPL layer according to DIN-EN 61340-5-1.
- bench legs with metal leveling screws
- **414.130.890:** 2nd earthing box for ESD bench



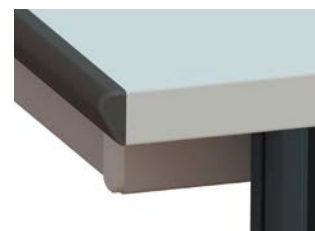
V Front Edge



PP Plastic Edge
durable PP plastic edge with 3mm radius in bench top color



70mm Drop Edge
HPL layer stretched 70mm downwards for covering the bench frame, 15mm radius for high forearm comfort



PROFIttec Edge
impact resistant front edge made of solid plastic in 10mm radius

PROFI Workbench 40 **T** . **BB** **V** . **90** **H**

T Depth	BB Width	V Front Edge	H Rear Profile
6 800mm	08 800mm	PP Plastic Edge	for SINGLE/ MULTI Extensions
7 900mm	09 900mm	0 Standard	1 SINGLE
8 1000mm	10 1000mm	5 ESD	3 MULTI
	12 1200mm		
	13 1295mm	70mm Drop Edge	for ENERGY Extensions
	15 1500mm	1 Standard	2 SINGLE
	16 1600mm	6 ESD	4 MULTI
	18 1800mm		
	20 2000mm	PROFIttec Edge	
	23 2303mm	2 Standard	
		7 ESD	

THE LABORATORY BENCH WITH SPACIOUS CALBE TRAY

PROFI LABORATORY BENCH

- Bench height: 780mm.
- Extraordinary stable bench frame made of tubular steel and middle section. Sides with sleeves for a flush, vibration-free connection of the bench legs. Both sides with thread inserts for the acceptance of suspended containers.
- Cable tray made of sheet steel (200 x 170mm) with rear sided ventilation slots and ergonomic bevelling. Durable light grey powder coating.
- Hardwearing, light grey 30mm thick bench top (multilayer chipboard according to DIN EN ISO 13894-1. Upper side with 0,8mm thick high pressure laminate according to DIN EN 438-2), all sides with 3mm PP plastic edge.
- Front edge available in three different versions.
- Rear sided cable flap with double rubber lip for a flexible cable outlet from cable tray to the bench top. Benches with more than 1200mm width have flaps which are sectioned in the middle, so the flap still can be opened if the bench is heavily loaded.
- Front legs are made of SINGLE profile and can be placed further to the rear for unhindered leg room of corner combinations. For an easy and flexible cable guidance the rear bench legs are made of MULTI profile with detachable aluminium covers. The bench top is with cutouts for the bench legs for the modular fixation of extensions.
- Durable powder coated according to RAL Code.



Your Advantage of cable tray with flaps:



room for power strips, chargers etc. or simple cable guidance



sectioned, so it can be opened even if heavily loaded

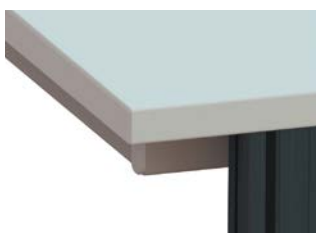


double rubber lip to avoid crushed cables

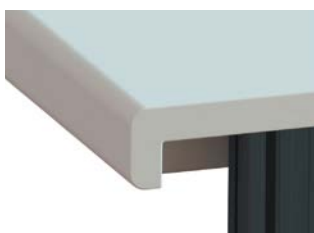


brush strip instead of rubber lip on demand

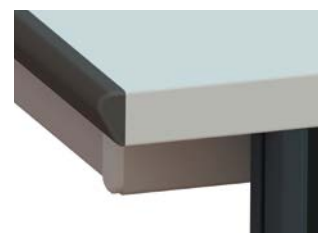
V Front Edge



PP Plastic Edge
sturdy PP plastic edge with 3mm radius in bench top color

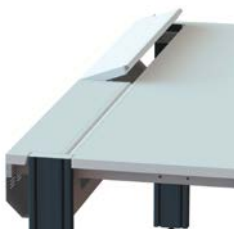


70mm Drop Edge
HPL layer stretched 70mm downwards for covering the bench frame, 15mm radius for high forearm comfort



PROFIttec Edge
impact resistant front edge made of solid plastic in 10mm radius

K Cable Flap



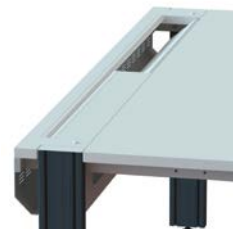
Standard Flap
90° to the rear opening flap with special hinges



Short Standard Flap
reduced flap depth on demand



180° Flap
to the front opening flap, applicable in combination with KK compact terminal at the rear edge



Downward Opening Flap
with push lock, applicable for heavily loaded bench tops

PROFI Lab Bench 41 **T** . **BB** **V** .9 **K** 1

T Depth	BB Width	V Front Edge	K Cable Flap
0 800mm	08 800mm	0 70mm Drop Edge	for SINGLE/ MULTI Extensions
1 900mm	09 900mm	1 PP Plastic Edge	0 Standard Flap (standard or short)
2 1000mm	10 1000mm	2 PROFIttec Edge	1 180° Flap
	12 1200mm		2 Downward Opening Flap
ESD	13 1295mm		for ENERGY Extensions
4 800mm	15 1500mm		7 Standard Flap (standard or short)
5 900mm	16 1600mm		8 180° Flap
6 1000mm	18 1800mm		9 Downward Opening Flap
	20 2000mm		
	23 2303mm		

PROFI ATTACHMENT BENCH

- When placed in a row, the left PROFI bench can be an attachment bench without the left pair of bench legs.
- Extraordinary stable bench frame gapless attached to the left side of the bench.
- This reduces the bench width by 40mm.
- Attachment benches are not applicable for bench racks or shelves with cutout for extensions.

PROFI Attachment Bench 4XX.XXX.905



PROFI INTERMEDIATE BENCH

- When placed in a row, the middle bench can be an intermediate bench without any bench legs.
- Extraordinary stable bench frame gapless attached to the left side of the bench.
- This reduces the bench width by 80mm.
- Intermediate benches are not applicable for bench racks or shelves with cutout for extensions.

PROFI Intermediate Bench 4XX.XXX.906



PROFI COMPENSATING PLATE

- Customized width (please state).
- Hardwearing, light grey 30mm bench top with 3mm PP plastic edge and different types of front edge.
- Two steel brackets with durable light grey powder coating.

PROFI Compensating Plate 41 **T** .520. 0 **V** 0

T Depth		ESD		V Front Edge	
0	800mm	4	800mm	0	70mm Drop Edge
1	900mm	5	900mm	1	PP Plastic Edge
2	1000mm	6	1000mm	2	PROFitec Edge



CROSS STIFFENING FOR PROFI BENCHES

- Stable brace made of sheet steel.
- For the flexible assembly between the rear bench legs.
- Durable powder coated according to RAL Code.
- Dimensions: 120 x 30mm (DxH).



Cross Stiffening			
800mm	419.050.901	1500mm	419.053.901
900mm	419.057.901	1600mm	419.053.906
1000mm	419.051.901	1800mm	419.054.901
1200mm	419.059.906	2000mm	419.055.901
1295mm	419.052.901	2303mm	419.056.901

SIDE STIFFENING FOR PROFI BENCH, PAIR

- Two aluminium profiles (40 x 40mm).
- For the assembly between the rear and front bench leg.
- Durable powder coated according to RAL Code.



Side Stiffening	
800mm	419.058.901
900mm	419.060.901
1000mm	419.059.901

SURCHARGE FOR MOBILE PROFI BENCH

- Bench legs adaption for a total bench height of 780mm.
- Set of casters, two with brake.
- Please add cross - and side stiffening.

Note:

11HE suspended containers are only possible for max. 75mm caster dimension.



Twin Caster 75mm ESD Twin Caster Design 100mm Heavy Duty Caster 100 / 125mm Solid Foot with Lifting Caster

Surcharge for Mobile PROFi Bench			
419. D 4 A . 00 P			
D Diameter (Load capacity per caster)	A Version	P Profile	
0 Twin Caster 75mm (80kg)	1 Standard	0 SINGLE	
1 Heavy Duty Caster 100mm (100kg)	2 ESD	3 MULTI	
2 Heavy Duty Caster 125mm (100kg)			
3 Twin Caster Design 100mm (100kg)			
4 Solid Foot with Lifting Caster 63mm (500kg)			

THE LABORATORY BENCH WITH EXTENDABLE ENERGY PROFILE

PROFI BENCH WITH POWER LEGS

- Bench height: 780mm (equipable with: 2x 16KP).
- Extraordinary stable bench frame made of tubular steel with extra middle section. Sides with sleeves for a flush vibration-free connection of the bench legs. Both sides with thread inserts for the assembly of suspended containers.
- Front bench legs are made of the aluminium profile SINGLE and can be placed further to the rear for unhindered leg room in corner combinations.
- The rear bench legs are made of modular equipable ENERGY profile 102 x 125mm (WxD) with 7 surrounding slots. The front side is prepared for the acceptance of modules in KP raster (see chapter 10). Perfect equipment for power legs are sockets, interfaces, pressured air, ect.
- For a completely hidden cable run between floor, cable tray and bench rack, the profile can be continuously extended without any loss of stability.
- Hardwearing, light grey 30mm thick bench top (multilayer chipboard according to DIN EN ISO 13894-1. Upper side with 0,8mm thick high pressure laminate according to DIN EN 438-2), All sides with 3mm PP plastic edge. Three different types of front edges.
- Optionally with rear sided cable flap and double rubber lip, as well as cable tray made of sheet steel (200 x 170mm) with rear sided ventilation slots and ergonomic bevelling. Durable, light grey powder coated.
- Bench legs durable powder coated according to RAL Code.





Your Advantage of PROFI Bench with Power Legs

- easy cabling from bench rack to under bench top, even for big cable bundles
- PCs and other electrical devices can be plugged in under the bench
- broad variety of available modules
- the spacious profile can also be used for cable guidance between to bench



PROFI Bench with Power Legs 41 **T** . **BB** **V** .3 **K** 1

T Depth	BB Width	V Front Edge	K Cable Flap
0 800mm	08 800mm	0 70mm Drop Edge	0 Standard Flap
1 900mm	09 900mm	1 PP Plastic Edge	1 180° Flap
2 1000mm	10 1000mm	2 PROFitec Edge	2 Downward Opening Flap
	12 1200mm		5 no Flap
ESD	13 1295mm		
4 800mm	15 1500mm	▶ see page 023 for details	▶ see page 023 for details
5 900mm	16 1600mm		
6 1000mm	18 1800mm		
	20 2000mm		
	23 2303mm		

PROFI SUSPENDED CABLE TRAY

- Stable and spacious cable tray made of sheet steel, rear side with ventilation slots, ergonomic bevelling and cable access to the front and downwards.
- Durable, light grey powder coating.
- Incl. assembly set for the fixation to the bench legs.



PROFI Suspended Cable Tray 419.BB 0. F 2 A				
BB Width		F Rear Profile		A Version
08	800mm	15	1500mm	0 with cutout for SINGLE / MULTI
09	900mm	16	1600mm	9 no cutout for SINGLE / MULTI
10	1000mm	18	1800mm	1 with cutout for ENERGY
12	1200mm	20	2000mm	8 no cutout for ENERGY
13	1295mm	23	2303mm	
				0 Standard Cable Tray
				5 Cable Tray with Brush (60mm rear overhang)

PROFI COVERS FOR CABLE TRAY, PAIR

- Two covers (left and right) made of sheet steel.
- Durable, light grey powder coating.
- Incl. assembly set for the fixation to the bench leg.



PROFI Covers for Cable Tray, Pair	
419.035.000	for Standard Cable Tray
419.035.005	for Cable Tray with Brush

REAR PANELING FOR PROFI BENCH

- Light grey 19mm melamine resin covered chipboard with 2mm PP plastic edge.
- Incl. assembly set for the fixation to the bench legs.



for **PROFI Lab Bench**
with Cable Tray
Height 450mm



for **PROFI Workbench**
without Cable Tray
Height 650mm



for all **PROFI Benches**
Height: 1300mm

Rear Paneling 418.BB H . 00 A				
BB Width		H Height	A Version	
08	800mm	15	1500mm	4 450mm
09	900mm	16	1600mm	6 650mm
10	1000mm	18	1800mm	9 1300mm
12	1200mm	20	2000mm	
13	1295mm	23	2303mm	
				0 Standard
				5 ESD



SOCKET STRIP IN CABLE TRAY

- Benches with cable tray can be added by extra socket strips e.g. for PC connection.
- Socket strips can be integrated into the bench wiring.



Socket Strip in Cable Tray	
293.640.100	4fold, Type F, white, 1,5m Cable
293.660.100	6fold, Type F, white, 1,5m Cable
293.642.100	4fold, Type G, white, 1m Cable
293.660.986	6fold, Type B with Switch, white, 0,6m Cable
293.600.000	Surcharge - Wired into Bench Electricity
293.600.030	Firmly attached in Cable Tray

REAR BENCH TOP UPSTAND

- Light grey 30mm thick melamine resin covered chip board with 3mm PP plastic edge firmly connected to the bench top as rear sided stop edge.
- Height: 50mm.



Rear Bench Top Upstand	
419.700.000	Standard per Meter
419.700.050	ESD per Meter

PROFI CROSS PROFILE

- For installation on variable height between the rear sided bench legs. The cross profile serves as support for a foot rest.
- Durable powder coated according to RAL Code.



PROFI Cross Profile 419.07 B .900			
B Width			
0	720mm	2	1215mm
7	820mm	3	1420mm
1	920mm	8	1520mm
9	1120mm	4	1720mm

PROFI FOOT REST, HEIGHT ADJUSTABLE

- Two anodized aluminium profiles, which are assembled to the cross profile. Foot area with surrounding frame and rubber mat 620 x 540mm (WxD).
- Spring mechanics for a comfortable height adjustment in sitting position. The foot area can be adjusted in depth.
- Height adjustment: floor to max. 400mm.

PROFI Foot Rest, Height Adjustable	
491.090.100	Standard
491.095.100	ESD



SITTING OR STANDING: **PERFECTLY STABLE IN EACH POSITION!**

Generally our height adjustable benches vary in the types and numbers of lifts. Furthermore it is up to the customer whether only the bench top or the full bench configuration should move up and down. We offer manual height adjustment, hand crank adjustment and electric drives.

No matter what solution you decide for, they have one thing in common: all are high quality systems with long life cycle and extraordinary stability!





HEIGHT ADJUSTMENT EVEN FOR RETROFITTING

OPTION CANTILEVER LIFT FOR PROFI BENCH

Each PROFI workbench or PROFI lab bench can be equipped with a cantilever lift, even as a later-on modification with reasonable effort. When using height adjustable benches we recommend the use of spacers for safety reasons.

Due to the fact, that the legs of all PROFI benches can be placed further to the rear, the benches can be equipped with cantilever lifts even later on.

Height adjustment is either manually with a locking bolt, by hand crank or electrically with a hydraulic lifting system.

The option Cantilever Lift for PROFI benches consists of:

- Nicely shaped cantilever base with two outer shells and special drive mechanism.
- Rear sided perforated backplane (H:300mm) for high rigid stability.
- 2 or 4 hydraulic lifts.
- Central mounted hydraulic pump under the bench top or in the cable tray for hand crank or electric adjustment.
- Lowest bench position 750mm, in case of retrofitting: the initial bench height.
- Complete set of hoses hiddenly installed under the bench top.





Hand Crank Height Adjustment

- Two hydraulic cylinders (only for bench depth 800) or four hydraulic cylinders (bench depth 800/900/1000) installed in PROFI profiles.
- Central hydraulic pump installed under the bench top.
- Hand crank driven, the hand crank can be folded under the bench top.
- Lift transmission: 5mm/ rotation.

Electric Height Adjustment

- Two hydraulic cylinders (only for bench depth 800) or four hydraulic cylinders (bench depth 800/900/1000) installed in PROFI profiles.
- Central hydraulic pump installed under the bench top or in the cable tray.
- Lifting speed: 15mm / sec.
- Control with overload protection.
- Operator panel with memory for 4 heights (display with height indication).



Cantilever Leg for PROFI Bench

400. **BB T . HH V**

BB Width	T Depth	HH Height Adjustment	V Type
08 800mm	0 800mm	10 Manual Height Adjustment (750 - 1250mm)	1 bench installed
09 900mm	1 900mm	23 Hand Crank with 2x Cylinders (3000N) Lift: 300mm	5 retrofit
10 1000mm	2 1000mm	24 Hand Crank with 2x Cylinders (3000N) Lift: 400mm	
12 1200mm		25 Hand Crank with 2x Cylinders (3000N) Lift: 500mm	
13 1295mm		43 Hand Crank with 4x Cylinders (3500N) Lift: 300mm	
15 1500mm		44 Hand Crank with 4x Cylinders (3500N) Lift: 400mm	
16 1600mm		45 Hand Crank with 4x Cylinders (3500N) Lift: 500mm	
18 1800mm		33 Electric Drive with 2x Cylinders (3000N) Lift: 300mm	
20 2000mm		34 Electric Drive with 2x Cylinders (3000N) Lift: 400mm	
23 2303mm		35 Electric Drive with 2x Cylinders (3000N) Lift: 500mm	
		53 Electric Drive with 4x Cylinders (3500N) Lift: 300mm	
		54 Electric Drive with 4x Cylinders (3500N) Lift: 400mm	
		55 Electric Drive with 4x Cylinders (3500N) Lift: 500mm	

410.004.907:
Synchronization
Cable for Bench
Combinations



PROFI C-LIFT - THE POWERFUL

PROFI C-LIFT BENCH

- Height adjustable between 730 - 1180mm (lift: 450mm).
- Heavy duty lifts with anodized aluminium profile.
- The lifts are with smooth spindle drive, profile dimensions 60 x 240mm. Six surrounding T-slots for the flexible acceptance of accessory (e.g. PC support).
- The lifts are fully synchronized and the control is mounted under the bench top with hidden cable run between lifts and operator panel. Freely programmable end positions as well as anticollision function with programmable tripping force to prevent squeezing of persons and things. If the programmed force is exceeded, the lifts stop and reverse movement.
- Extraordinary stable bench frame made of tubular steel with extra middle section. Thread inserts for both sided acceptance of suspended containers. Durable light grey powder coating.
- The bench frame is prepared for the acceptance of SINGLE / MULTI - or ENERGY extensions with provision for hidden cable runs into the cable tray.
- Nicely shaped cantilever base with leveling screws.
- Rear side with perforated backplane (H: 300mm) for a perfect lateral stability.
- Cantilevers, backplane and adapter for extension are powder coated according to RAL Code.
- Durable, light grey 30mm thick bench top (multilayer chip-board according to DIN EN ISO 13894-1. Upper side with 0,8mm thick high pressure laminate according to DIN EN 438-2), sides with 3mm PP plastic edge, front edge available in 3 different versions.
- Optionally with rear sided cable flap.





412.180.701 PROFI C-Lift Bench with rear side opening standard flap and 70mm drop edge (lifts are not included and need to be ordered separately)

Your advantage with the heavy duty lifts:

- fully synchronized lifts up to 640kg load
- high lateral stability due to special bench frame and extra stabilizer
- all sides prepared for the acceptance of accessory



Many practical details:

- operator panel with memory function and bench height indication (4 memories)
- optional with drag chain for cable management between cable tray and floor
- optional with spacers to avoid shearing effect



PROFI C-Lift Bench without Lifts 41 **T** . **BB** **V** .7 **K** **F**

T Depth	BB Width	V Front Edge	K Cable Flap	F for Extension
0 800mm	08 800mm	0 70mm Drop Edge	0 Standard Flap	1 MULTI / SINGLE
1 900mm	09 900mm	1 PP Plastic Edge	1 180° Flap	3 ENERGY Standard / 45°
2 1000mm	10 1000mm	2 PROFitec Edge	2 Downwards Opening Flap	
	12 1200mm		5 no Flap	
ESD	13 1295mm	► Details: see page 021	► Details: see page 023	► Details: see page 023
4 800mm	15 1500mm			
5 900mm	16 1600mm			
6 1000mm	18 1800mm			
	20 2000mm			
	23 2303mm			

Lifts	Force	Speed
410.003.160	2x 800N	max. 18mm/s
410.003.320	2x 2000N	max. 9mm/s
410.003.321	2x 2000N	max. 18mm/s
410.003.640	2x 3200N	max. 9mm/s
410.003.000	no lifts	C-Leg bench, fixed height

Accessory:

410.003.907:
Synchronization cable for bench combinations



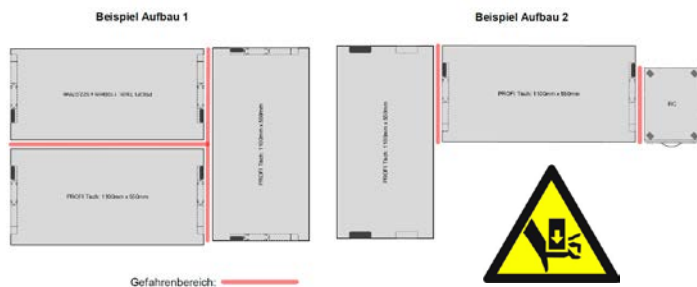
293.600.100:
Lift control connected to the input of the mains panel

293.600.010:
Lift control connected to the output of the mains panel

PROTECTORS FOR PROFI CANTILEVER AND C-LIFT BENCHES

Height adjustable benches need to be placed in safe distance from one another to prevent accidents due to shearing effect. The spacers are in accordance with DIN EN 527-1.

The red area indicates the danger zones.



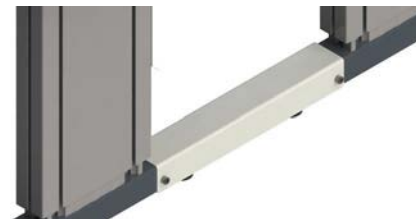
419.021.100:
Spacer for row configurations



419.021.200:
Spacer between height adjustable and regular benches



419.023.100:
Spacer for cantilever benches in back-to-back position



419.022.100:
Spacer for back-to-back configurations at the base

Spacers for PROFi Cantilever - and PROFi C-Lift Benches

419.021.100	Spacer 40mm for PROFi Cantilever or / and C-Lift Benches (row configuration)
419.021.200	Spacer Bracket 40mm for PROFi Cantilever or C-Lift Bench with standard bench, container, wall, etc (row configuration)
419.023.100	Spacer 40mm for PROFi Cantilever Benches (back-to-back)
419.023.200	Spacer Bracket 40mm for PROFi Cantilever Benches to standard bench, container, wall, etc (back-to-back)
419.022.100	Spacer 40mm for C-Lift Benches (back-to-back)
419.022.200	Rear sided Bracket 40mm for C-Lift Benches to standard bench, container, wall, etc (back-to-back)

OPTION DRAG CHAIN FOR HEIGHT ADJUSTABLE BENCHES

- Drag chain for a height variable cable guidance for height adjustable benches.
- Installed at the lower side of the cable tray.
- Inner dimensions: 38x20mm, outer dimensions: 49x25mm (WxH).
- Length: 1100mm.



Option Drag Chain for Height Adjustable Benches

410.001.910	PROFi Cantilever: between cable tray and base
410.011.910	PROFi Cantilever: to adjoining bench in a row
410.003.910	C-Lift: between cable tray and base
410.013.910	C-Lift: to adjoining bench in a row



OPTION MOBILE PROFI CANTILEVER BENCH

The option mobile PROFI cantilever bench is available with lifting height 300mm or 400mm and consists of:

- Set of cantilevers with reduced leg length to maintain standard bench height.
- Set of casters „Design“, diameter 100mm (2x with brakes and 2x position lock).
- Load capacity: max. 300kg.
- Adjustable range with 300mm lifts: 750 - 1050mm.
- Adjustable range with 400mm lifts: 750 - 1150mm.



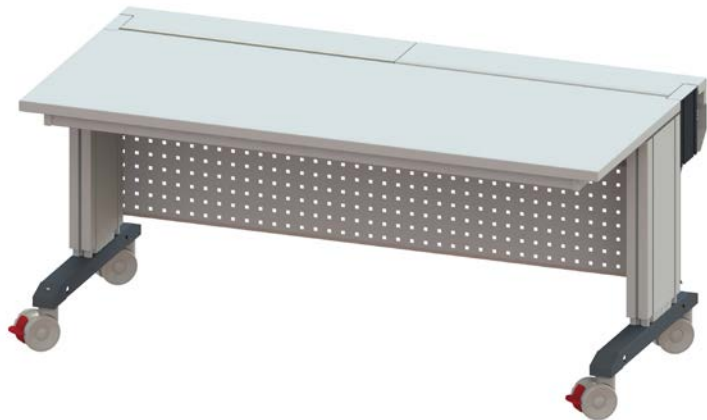
Option Mobile PROFI Cantilever Bench

400.999.007	Standard
400.999.008	ESD

OPTION MOBILE C-LIFT BENCH

The option mobile C-Lift bench consists of:

- Set of lifts with lifting height of 350mm.
- Set of casters „Design“, diameter 100mm (2x with brakes and 2x position lock).
- Load capacity: max. 300kg.
- Adjustable range: 730 - 1080mm.



Option mobile C-Lift Bench (E: 7= Standard / 8=ESD)

410.003.16E	Lift: 350mm / 2x 800N / 18mm/s
410.003.32E	Lift: 350mm / 2x 2000N / 9mm/s
410.003.33E	Lift: 350mm / 2x 2000N / 18mm/s
410.003.00E	C-Lift Base without Lifting Mechanism



THE X-LIFT BENCH WITH IMPRESSIVE LIFTING HEIGHT

Duo and Quattro:

- Impressive lifting height of 650mm.
- High speed up to 38mm/s.
- Silent operation.
- Lifting force up to 480kg.
- Intuitive handling with flexible position memory.



PROFI X-LIFT QUATTRO

Base for height adjustable X-Lift bench (630 - 1280mm) consisting of:

- 4 telescopic lifts with silent operating spindle drive, durable powder coating in white aluminium. Cross section of lifts: 50 x 80mm. Lifting height: 650mm. Lifting force: max. 4 x 1.200N. Lifting speed: max. 38mm/s.
- Fully synchronized control installed under the bench top with hidden cable run and anticollision function.
- Control element with memory function and digital height indication.
- Solid and nicely shaped sheet steel cantilevers with leveling screws.
- Durable powder coated according to RAL Code.
- Sheet steel stiffener installed between the rear bench legs for perfect cross stability.
- Solid bench frame made of sheet steel with intermediate section and integrated cable tray (200x170mm) with adapter for extensions and integrated brush strip (40mm) for cable access.
- All steel parts durable dissipative powder coated in light grey.
- Bench top to be selected below.



Base for PROFI X-Lift Quattro

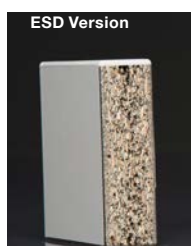
41 **T** **BB** 0.800, **F**

T Depth		BB Width				F Extensions	
Standard	ESD	08	800mm	15	1500mm	0	not prepared for Extensions
0	800mm	6	800mm	09	900mm	16	1600mm
1	900mm	7	900mm	10	1000mm	18	1800mm
2	1000mm	8	1000mm	12	1200mm	20	2000mm
				13	1295mm	23	2303mm

Bench Top for PROFI X-Lift Quattro:

15 **T** **BB** **P** **K** **V** **F**

T Depth	BB Width	P Type		K Flap	V Edge	F Extensions
0 800	08 800	0 HPL Surface	7 ESD HPL Surface	1 none	0 PP 3mm	0 no Cutout
1 900	-	1 Office Quality	8 ESD Office Quality	2 with 180°	1 PROFITec	1 for SINGLE/ MULTI
2 1000	23 2303	4 Beech Multiplex 30mm				2 for ENERGY

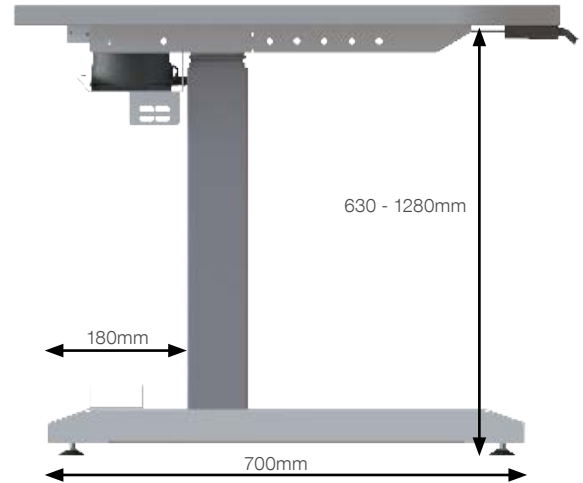


PROFI X-LIFT DUO

Base for height adjustable X-Lift bench (630 - 1280mm) consisting of:

- 2 telescopic lifts with silent operating spindle drive, durable powder coating in white aluminium. Cross section of lifts: 60 x 90mm. Lifting height: 650mm. Lifting force: max. 2 x 800N. Lifting speed: max. 38mm/s.
- Fully synchronized control installed under the bench top with hidden cable run and anticollision function (programmable shut-off force in case of collision, with stop and reverse function).
- Intuitive control element with memory function (3 positions), controllable by app.
- Solid and nicely shaped sheet steel cantilevers with leveling screws. Depth: 700mm.
- Stable H-frame made of sheet steel with integrated cable tray (160 x 95mm) at the rear side. Durable dissipative powder coated in light grey.

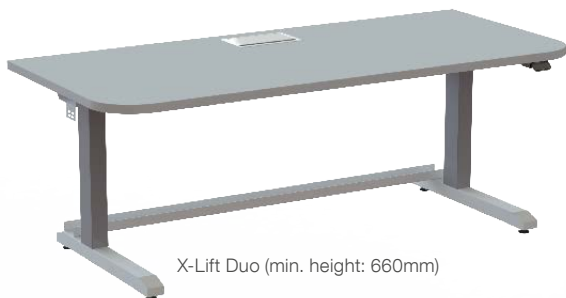
- Optionally with cable tray between the cantilevers for extra stability and cable guidance for more benches in a row.
- Please choose bench top on page 039, the bench is supplied completely assembled.



BASE FOR PROFI X-LIFT DUO

Base for PROFI X-Lift Duo 193. **BB** 0. **A** 01

BB Width		A Type	
06	600mm	14	1400mm
08	800mm	16	1600mm
10	1000mm	18	1800mm
12	1200mm	20	2000mm
		0	Standard
		1	with Cantilever Cable Tray



Note: select bench top individually (max. 900mm deep)

BENCH TOPS IN OFFICE QUALITY

- Melamine resin covered 3-layer chipboard.
- All sides with PP plastic edge.
- Customized dimensions.

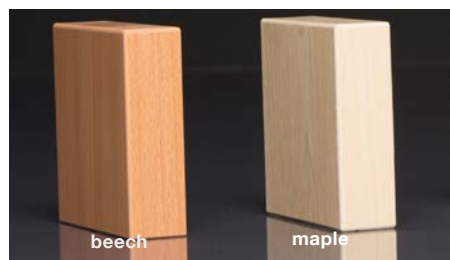
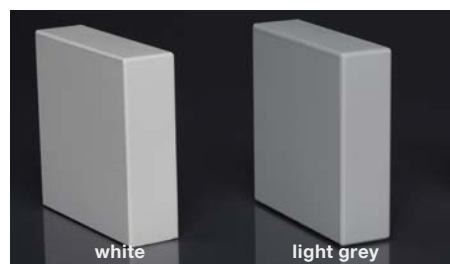
ESD Version:



- Volume conductive 3-layer chipboard with conductive HPL layer according to DIN-EN 61340-5-1.

Bench Top in Office Quality 10 **A** .0 **ST** . **F** 00

A Version	ST Thick	F Color
1 Standard	08 8mm	5 light grey
8 ESD	19 19mm	8 white
	25 25mm	9 beech / maple (non ESD)
	00 28mm	



HIGH PRESSURE LAMINATED BENCH TOPS

- 3-layer chipboard according to DIN 68761. Upper side with 0,8mm high pressure laminate according to DIN 16926 and 53799).
- All sides with 3mm PP plastic edge.
- Thickness: 30mm.

ESD Version:



- Volume conductive 3-layer chipboard with conductive HPL layer according to DIN-EN 61340-5-1.

High Pressure Laminated Bench Top 10 **A** .000. **F** 00

A Version	F Color
0 Standard	5 light grey
7 ESD	8 white
	9 maple / beech (not ESD)



ACCESSORY FOR X-LIFT BENCH

Accessory for X-Lift Bench	
410.005.918	Intuitive Control Element with Position Memory
410.005.909	Programming Software with Cable
410.005.929	Synchronization cable (max. 4 controls)
419.021.100	Spacer 40mm for Row Configurations
410.003.920	Drag Chain between Cable Tray and Cantilever
410.013.920	Drag Chain to adjacent Bench (Row Configuration)
293.600.100	Lift Control connected to Input of Mains Panel
293.600.010	Lift Control connected to Output of Mains Panel



410.005.918: Option intuitive control element with control app and position memory



410.003.910: Drag chain between cable tray and cantilever

X-LIFT ADAPTER FOR SUSPENDED CONTAINERS

- Lower side of the bench top with thread inserts for the attachment of suspended containers either on right and left side.
- Wooden adapter made of 19mm melamine resin covered chipboard.
- Height: 50mm.

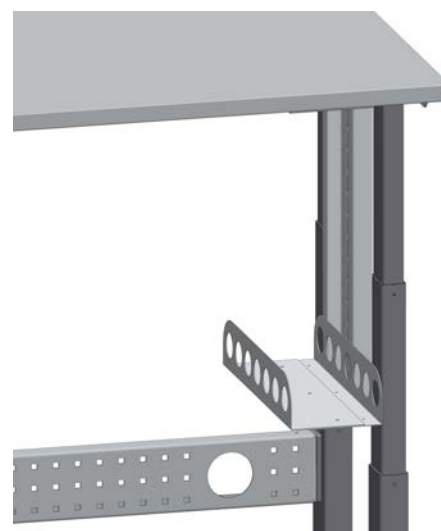
X-Lift Adapter for Suspended Container		43	A	000.	T	80
A	Version	T	Depth			
1	Standard	5	580mm			
3	ESD	6	680mm			



PC SUPPORT FOR X-LIFT BENCH

- Two sheet steel parts for the assembly to the lower side of the bench.
- Stepless adjustable in width and stop edge at the rear side.
- Durable light grey powder coated.
- Dimensions: 200 x 500mm (DxH).

PC Support for X-Lift Bench	
491.082.100	for PC Width: 160 - 210mm
491.082.150	for PC Width: 130 - 180mm
491.082.200	for PC Width: 90 - 130mm



COMBINE MORE BENCH ELEMENTS TO AN ENTIRE PANORAMA

The PROFI system offers countless options and accessory for the realization of individual workstations or group workstations. If you opt for a solution, later-on enhancements are of cause always possible.

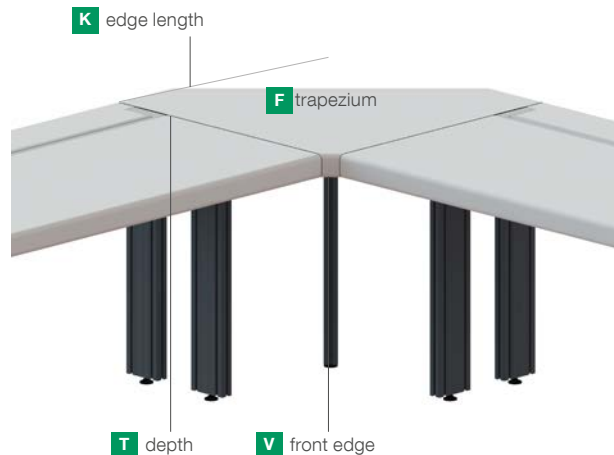
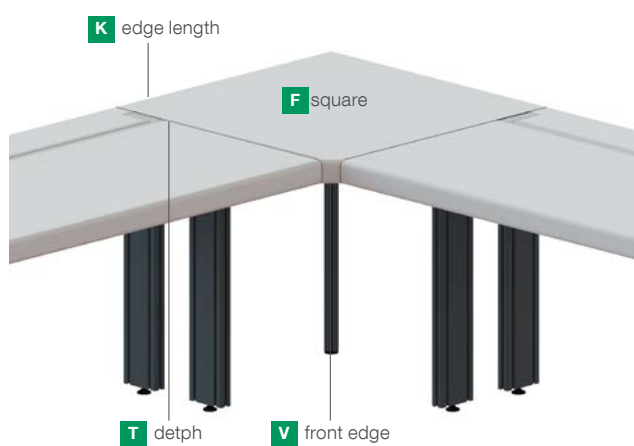


PROFI CORNER ELEMENT SYMMETRIC

- Total height: 780mm.
- Hardwearing, 30mm thick light grey corner plate with 3mm PP plastic edge, prepared for the acceptance of the supporting leg.
- Two sheet steel brackets with durable light grey powder coating.
- Incl. supporting leg with mounting plate, durable powder coated according to RAL Code.

Front Edge Length (edge length/bench depth):

582mm (1213/800); 331mm (1035/800); 50mm (835/800)
 441mm (1213/900); 190mm (1035/900); 50mm (935/900)
 300mm (1213/1000); 50mm (1035/1000)



PROFI Corner Element Symmetric 4 **F** **T** . 50 **K** . **A** **V** 3

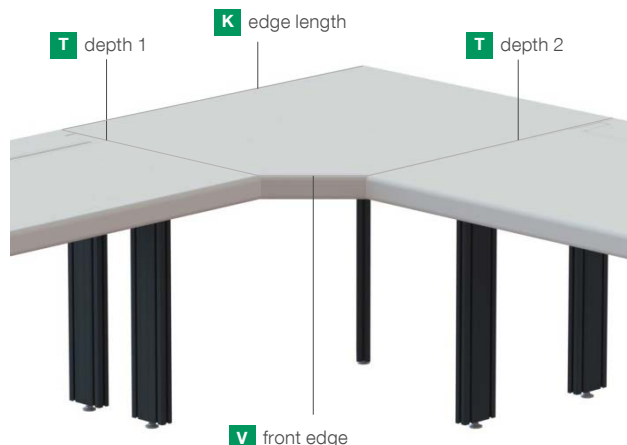
F Form	T Depth	K Edge Length	A Version	V Front Edge
0 Square	0 800mm	0 1213mm	0 Standard	0 70mm Drop Edge
1 Trapezium	1 900mm	1 1035mm	5 ESD	1 PP Plastic Edge
	2 1000mm	2 935mm		2 PROFItec Edge
		4 835mm		



Bench Panorama with Squared Corner Elements

PROFI CORNER ELEMENT ASYMMETRIC

- Please state the bench depth of the left and right adjoining bench.
- Hardwearing, 30mm thick light grey corner plate with 3mm PP plastic edge, prepared for the acceptance of the supporting leg.
- Two sheet steel brackets with durable light grey powder coating.
- Incl. supporting leg with mounting plate, durable powder coated according to RAL Code.



PROFI Corner Element Asymmetric 40 **T** .50 **K** . **A** **V** 3

T Depth 1 / 2	K Edge Length	A Version	V Front Edge
3 800 / 900mm	0 1200 x 1000mm	0 Standard	0 70mm Drop Edge
4 800 / 1000mm	1 depth + 35mm	5 ESD	1 PP Plastic Edge
5 900 / 800mm			2 PROFIttec Edge
6 900 / 1000mm			
7 1000 / 800mm			
8 1000 / 900mm			

PROFI CORNER ELEMENT TRIANGLE

- Hardwearing, 30mm thick light grey corner plate with 3mm PP plastic edge.
- Two sheet steel brackets with durable light grey powder coating.
- Incl. assembly set for the fixation to the PROFI bench.



Meeting Corner with Corner Element 270°

Bench Combination with Corner Element 45°

PROFI Corner Element Triangle 4 **F** **T** .505. **A** **V** 3

F Form	T Depth	A Version	V Front Edge
0 45°	0 800mm	0 Standard	0 70mm Drop Edge
1 270°	1 900mm	5 ESD	1 PP Plastic Edge
	2 1000mm		2 PROFIttec Edge

DIAGONAL CABLE TRAY FOR CORNER ELEMENT

- Stable and spacious cable tray made of sheet steel, optically identical to the cable tray of the PROFI lab bench.
- Rear side with ventilation slots and ergonomic bevelling, front and rear side with cable access for hidden cable runs.
- Durable, light grey powder coating.
- Incl. assembly set for the height adjustable fixation to the PROFI bench legs.
- Dimensions: 195 x 200mm (WxH).



Edge Length			Edge Length		
835 x 835mm	419.500.002		1200 x 1000mm	419.512.002	
935 x 935mm	419.501.002		1035 x 935mm	419.512.012	
1035 x 1035mm	419.502.002		1035 x 835mm	419.512.022	
1213 x 1213mm	419.504.002		935 x 835mm	419.512.032	
1000 x 1200mm	419.510.002		835 + 45°	419.514.002	
935 x 1035mm	419.510.012		935 + 45°	419.515.002	
835 x 1035mm	419.510.022		1035 + 45°	419.516.002	
835 x 935mm	419.510.032				

CORNER CABLE TRAY FOR CORNER ELEMENT

- Two stable and very spacious cable trays made of sheet steel, optically identical to the cable tray of the PROFI lab bench.
- Rear side with ventilation slots and ergonomic bevelling, front and rear side with cable access for hidden cable runs.
- Durable, light grey powder coating.
- Incl. assembly set for the height adjustable fixation to the PROFI bench legs.
- Dimensions: 200 x 200mm (WxH).

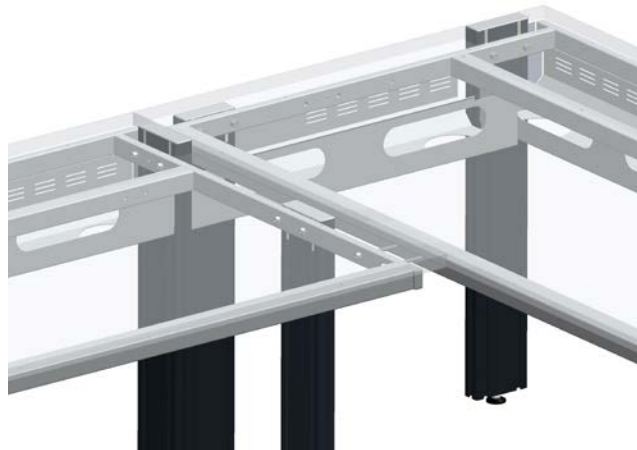


Edge Length			Edge Length		
835 x 835mm	419.520.002		1200 x 1000mm	419.532.002	
935 x 935mm	419.521.002		1000 x 1200mm	419.530.002	
1035 x 1035mm	419.522.002		1213 x 1213mm	419.524.002	



ASSEMBLY SET FOR L-COMBINATION

- Assembly set for setting up a L-Combination with two PROFI benches.
- Incl. bore in the front of the bench frame.



Assembly Set for L-Combination	409.500.000
--------------------------------	-------------

CABLE TRAY FOR L-COMBINATION

- Compensating cable tray for L-Combinations, to be attached to the side of the adjoining bench to enable gapless cable runs.
- Stable cable tray made of sheet steel, optically identical to the cable tray of the PROFI laboratory benches or C-Lift Benches.
- Durable, light grey powder coating.
- Incl. assembly set for the height adjustable fixation to the PROFI bench legs.
- Dimensions: 200 x 200mm (WxH).

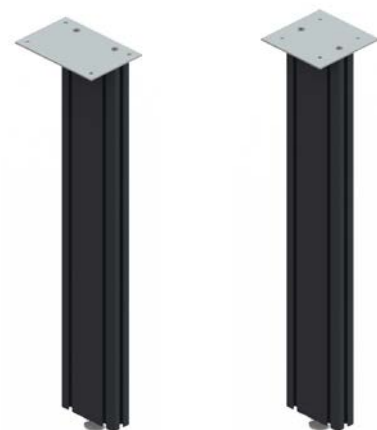


Left Side	for PROFI Bench	for C-Lift Bench	Right Side	for PROFI Bench	for C-Lift Bench
Bench Depth: 800mm	419.520.102	419.520.103	Bench Depth: 800mm	419.532.102	419.532.103
Bench Depth: 900mm	419.521.102	419.521.103	Bench Depth: 900mm	419.530.102	419.530.103
Bench Depth: 1000mm	419.522.102	419.522.103	Bench Depth: 1000mm	419.524.102	419.524.103

PROFI BENCH LEG WITH MOUNTING PLATE

- Bench leg made of SINGLE profile with leveling screw, mounting plate and assembly set.
- For the variable assembly to different bench top elements.
- Durable powder coated according to RAL Code.
- Height: 750mm.

PROFI Bench Leg with Mounting Plate	
401.000.900	Symmetric
401.001.900	Asymmetric



401.001.900

401.000.900

PROFI MEETING ELEMENT

- Hardwearing, 30mm thick light grey corner plate with 3mm PP plastic edge.
- Sheet steel bracket with durable light grey powder coating.
- Diameter: 2x bench depth.
- Incl. assembly set for the fixation to the PROFI bench legs.
- Note: supporting leg not included!



Meeting Element with half - and quarter circle elements



Meeting Element with full circle element

PROFI Meeting Element 40 T .53 K .000			
T Depth	K Circle		
	Quarter	Half	Full
6 800mm	0 Standard	2 Standard	4 Standard
7 900mm	5 ESD	7 ESD	9 ESD
8 1000mm			

HEIGHT ADJUSTABLE SIDE TABLE

Multipurpose table for the flexible use in laboratories and ESD areas, e.g. as meeting - or notebook area.

- Total height: 750 - 1150mm.
- Round (diameter: 750mm) bench top 30mm thick with surrounding 3mm PP plastic edge.
- Stable chromated lifting column, 75mm diameter.
- Pneumatic spring, blocking in each position.
- Polished aluminium base with glides, diameter 70mm.
- ESD version with volume conductive 3-layer chipboard with conductive HPL layer according to DIN-EN 61340-5-1.



Height Adjustable Side Table	
118.100.500	Standard
118.100.000	ESD

PROFI CANTILEVER OR C-LIFT IN CORNER COMBINATIONS

- Corner combinations with 2 height adjustable benches in L-Combination or with extra corner element.
- Synchronization cable for synchronizing two or more benches.
- Depending on the configuration up to 7 lifts can be synchronized.

Your advantages:

- Synchronization of max. 7 lifts
- Lifting capacity max. 1200kg

Accessory for Height Adjustable Combinations

410.004.907	Synchronization Cable / PROFI Cantilever Combin.
410.003.907	Synchronization Cable / C-Lift Combinations
940.817.100	Assembly Set for C-Lift L-Shape



Height Adjustable L-Combination with 4 Lifts



Height Adjustable C-Lift Combination with Corner Element



L-Combination with 3x Lifts

FLEX SOCKET STRIP

- The socket strip can be mounted to the PROFI profile or it can be placed into the cable tray of the laboratory bench. Optionally it can be connected to the mains panel to provide extra sockets to your workstation.



A Sockets		S Switch	Z Cable	F Color			
3	3 Sockets Type F	0	with Switch	0	no Cable	0	white
4	4 Sockets Type F	1	no Switch	1	1,5m Cable	1	black
6	6 Sockets Type F			3	3m Cable	2	red
293.600.000 Fixing Set for PROFI Profile			5	5m Cable			
293.600.010 Connection to the Mains Panel							
293.600.030 Option Socket Strip fixed in Cable Tray							
293.642.100 4x Sockets Type G (British Standard)			293.660.980 6x Sockets Type B (NEMA)				

SOCKET STRIP INDUSTRY

- Socket strip made of durable plastic profile and black PE sockets, Type F, child protection.
- Black power cable H05VV-F 3G1,50mm² (length 2m) with angled plug.
- With 2poles switch.
- Dimensions: 70 x 45mm (WxH).



Socket Strip Industry			
293.204.100	4 Sockets (W: 355mm)	293.209.100	9 Sockets (W: 570mm)
293.206.100	6 Sockets (W: 440mm)	293.212.100	12 Sockets (W: 700mm)

SOCKET FLAP FOR FURNITURE INTEGRATION

- Steel frame, dimensions 248 x 151mm.
- Solid flap mechanism, snapping into end positions (depth: 56mm).
- Flap can be closed even if plugged in, due to integrated brush strip.
- Stable fastening clip for 18-30mm thick material.
- The outlet module can be installed after the frame is completely mounted.



Socket Flap for Furniture Integration	
293.338.025	Socket Flap, metallic (sim. RAL9006)
293.338.026	Socket Flap, anthracite (sim. RAL7016)
293.911.001	Socket Flap, white (sim. RAL9010)
293.333.107	Module with 3 Sockets
293.912.003	Module with 2x Sockets + 1x Keystone Adapter
293.912.002	Module with 1x PE Socket + 2x Keystone Adapter



MODULAR POWER SYSTEM STEP

- The STEP power system is available in aluminium or plastic profile.
- More elements can be connected modularly.
- The elements of the STEP power system are equipped with Wieland GST18 in- and output connectors.
- PE Socket type F (type E and G on demand!).



STEP Power System with Plastic Profile	
293.336.600	3fold Sockets, 220mm
293.336.601	3fold Socket, red, 220mm
293.336.604	4fold Socket, 263mm
293.336.626	5fold Socket, 305mm



STEP Power System with Aluminium Profile	
293.336.039	3fold Socket, 220mm
293.336.067	3fold Socket, red, 220mm
293.906.014	4fold Socket, 263mm
293.906.003	3fold Socket with Switch, 263mm
293.906.031	3fold Socket and Switch for Sockets and Output
293.906.000	2fold Socket and Frame for 1x Keystone Module, 220mm
293.906.001	2fold Socket and Frame for 2x Keystone Module, 263mm
293.336.065	RCBO 2poles B16A, RCD 30mA, 220mm
293.336.004	Overvoltage Protection 2kV and Mains Filter 30MHz, 220mm



STEP Accessory	
293.375.038	Connecting Cable H05VV-F3G 1,5mm², 2m
293.375.003	Power Cable H05VV-F3G 1,5mm², 3m
293.940.097	Mounting Plate, Stainless Steel, 2pcs.
293.940.096	Mounting Brackets, Stainless Steel, 2pcs.



Keystone Adapter and Modules	
293.917.001	Adapter for 1x Keystone Module
293.917.000	Adapter for 2x Keystone Module
Keystone Modules:	
330.800.000	Blind Cover
330.810.100	RJ45 Coupler CAT 5e
330.810.200	RJ45 Coupler CAT 6a
330.810.400	RJ45 Socket > insulation displacement, Cat.6 shielded
330.830.200	USB2.0 A Socket > A Plug with Cable
330.830.400	USB3.0 A Socket > A Plug with Cable
330.830.500	USB3.0 C Socket > C Plug with Cable
330.840.200	HDMI Socket > HDMI Plug with Cable



See chapter 10 for more Keystone Modules



ROUND INSERT FOR CABLE ACCESS

- Plastic outer ring with rotatable spring flap.
- For inserting a cable with plug, the flap can be removed.
- Incl. cutout in bench top.



Round Insert for Cable Access	
419.061.000	Ø 80/92mm, light grey
419.061.100	Ø 80/92mm, stainless steel color
419.061.200	Ø 80/92mm, black
419.061.300	Ø 80/92mm, beige
419.061.400	Ø 80/92mm, white
419.062.000	Ø 60/72mm, light grey
419.062.100	Ø 60/72mm, stainless steel color
419.062.200	Ø 60/72mm, black
419.062.300	Ø 60/72mm, beige
419.062.400	Ø 60/72mm, white



Round Inserts for Cable Access and Technical Feature	
419.061.900	Wireless Charger USB, Ø 80/92mm, black
419.062.900	3fold USB-Hub + 2x Audio, Ø 60/72mm, black

PLASTIC VENTILATION INSERT

- Made of plastics.
- Incl. cutout in bench top.

Plastic Ventilation Insert	
419.063.900	Round, 55/50mm, white
419.064.000	Round 65/60mm, white
491.064.100	Rectangular 155 x 131mm, white



ALUMINIUM VENTILATION INSERT

- Made of anodized aluminium with 40 x 7,5mm holes.
- Incl. cutout in bench top.

Aluminium Ventilation Insert	
419.065.025	250 x 100mm
419.065.040	400 x 100mm
419.065.100	1000 x 100mm



CABLE FLAP, RECTANGULAR

- For bench top integration with silver-anodized flap.
- Black brush for cable protection in closed position.
- Incl. cutout in bench top.

Cable Flap, rectangular	
293.930.310	120 x 120mm
293.930.320	240 x 120mm
293.930.330	360 x 120mm



PROFI CONNECTOR FOR CABLE TRAY

- Plastic housing for power connection in the cable tray.
- Incl. two PE sockets, type F.
- Terminal clamp with tension relieve for the connection to the bench rack.



Connector for Cable Tray

419.081.001

PROFI CABLE CLAMP

- Stainless steel clamp for clipping into the profile slots. It guides external cable runs.
- Durable powder coated according to RAL Code.
- Dimensions: 40 x 40 x 100mm (WxDxH).



PROFI Cable Clamp

419.032.900

BRUSH CHANNEL, VERTICAL

- Durable powder coated sheet steel channel for the flexible cable run behind the PROFI extensions. The channel is closed with a brush strip, for a flexible cable access in each position.
- The easy cable arrangement with the brush channel is recommended for permanently changing cable cables.
- Depth: 70mm.



for ENERGY, closed



for SINGLE/ MULTI, slotted



for SINGLE/MULTI, closed

Brush Channel

401.0 **HH** **A** **F** 0

HH Height

03 300mm	05 500mm	07 700mm	09 900mm	11 1100mm
04 400mm	06 600mm	08 800mm	10 1000mm	12 1200mm

A Version

5 closed
6 slotted

F Extension

0 SINGLE/MULTI
1 ENERGY

PROFI PC SUPPORT

- Suspended PC support made of sheet steel.
- Stepless adjustable width.
- The PC support can be installed at each PROFI bench leg in variable height.
- Durable, light grey powder coating.
- Dimensions: 440 x 230mm (WxH).

PROFI PC Support		491.08 F .BB 0	
F	Bench Legs	BB	Width
0	SINGLE / MULTI / ENERGY	10	160 - 210mm
1	C-Lift	15	130 - 180mm
		20	90 - 130mm



PROFI KEYBOARD EXTENSION

- For installation under the bench top.
- Keyboard height: max. 75mm (adjustable in steps).
- Light grey 19mm thick shelfboard, all sides with 2mm PP plastic edge.
- Metallic telescopic rails with endposition lock (telescopic length: 279mm).
- Dimensions: 680 x 400 x 100mm (WxDxH).

PROFI Keyboard Extension	
491.068.501	Standard
491.068.551	ESD



PROFI KEYBOARD EXTENSION WITH MOUSE PAD

- For installation under the bench top, suitable for 3 heights (93, 104, 116mm).
- Width: 600mm (max. keyboard width 555mm).
- Position lock and extendable mouse pad.
- Compartment for writing utensils.

PROFI Keyboard Extension with Mouse Pad	
491.060.000	grey
491.060.005	black



PROFI HEIGHT ADAPTERS

- Height adapters 50mm for increasing the bench height later on.
- Durable powder coated according to RAL Code.
- Incl. assembly set.



PROFI Height Adapters, Set

401.200.900

PROFI LEG SHELL

- Eight half shells made of aluminium.
- Durable powder coated according to RAL Code.
- Incl. nuts and screws for the height variable fixation to the bench legs.

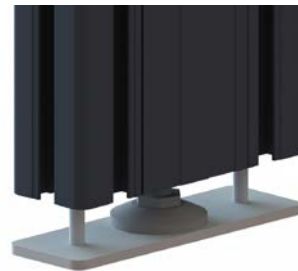


PROFI Leg Shell, Set

401.300.900

HEAVY DUTY LEVELLERS FOR PROFI BENCH

- Stainless steel plate with two bolts for the fixation to the bench leg.
- For the reduction of punctual loads especially for sensitive floors.



Heavy Duty Levellers

419.015.000

VIBRATION DAMPED LEVELLER FOR PROFI BENCH

- For metallic levellers with rubber damper.
- Ideal for measurement benches with ideal scales and microscopes.



Vibration Damped Leveller

419.017.000

PROFI BENCH CONNECTOR, SET

- For the connection of two PROFI benches.
- Two steel connectors.
- Incl. assembly set.



row positioning



back-to-back positioning



head-to-side positioning (head bench)

PROFI Bench Connector			
419.021.000	Row Positioning (stainless steel)	419.022.000	Back-to-Back Positioning (powder coated)
419.021.900	Row Positioning (powder coated)	419.023.000	Head-to-Side (powder coated)

FLOOR FIXATION FOR PROFI BENCH

- 2pcs. sheet steel brackets to anchor PROFI benches to the floor.
- Durable, light grey powder coating.
- Incl. assembly material.

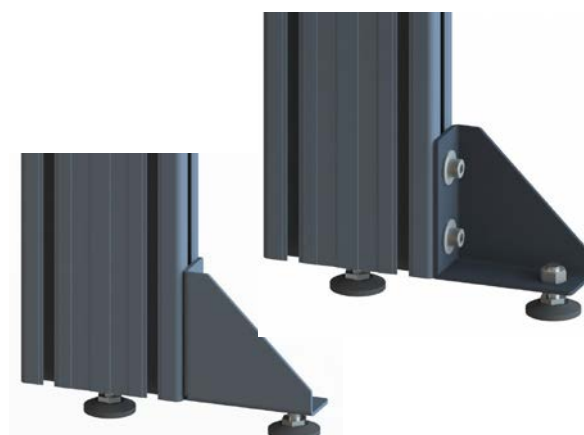


Floor Fixation, Pair	419.011.000
----------------------	-------------

PROFI STABILIZER, PAIR

The PROFI Stabilizer prevents benches with punctual center of gravity from toppling over, especially if they are not placed at the wall or head-to-head set-ups.

- 2x cantilever with leveling screw.
- Edge length: 100mm
- Durable powder coated according to RAL Code.
- Incl. assembly set.



PROFI Stabilizer, Pair	401.350.900
------------------------	-------------

PROFI BOTTLE HOLDER

- Two-part holder made of aluminium for a max. bottle diameter of 94mm.
- Durable light grey powder coating.
- For the fixation to the PROFI or FLEX profile in variable height.
- Dimensions: 117 x 120mm (DxH).



PROFI Bottle Holder	
468.200.102	1x Bottle, Width 114mm
468.200.202	2x Bottle, Width 210mm

PROFI SLOT COVER

- Suitable for all slots of the PROFI profiles.
- Material: Hard-PVC.
- Width: 10mm (max. length: 2,5m).



PROFI Slot Cover	
419.001.500	grey
419.001.100	black

PROFI CABLE DUCT

- For cable runs outside the PROFI profile, with detachable cover and flexible cable outlet.
- Incl. assembly set.



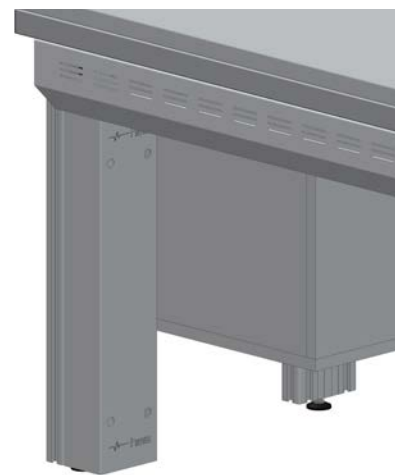
Cable Duct 15 x 15mm



Cable Duct 40 x 40mm



Cable Duct 110 x 60mm



Sheet steel cover 125 x 80mm

PROFI Cable Duct			
419.030.015	15 x 15mm (WxH) Plastics, light grey	419.033.900	100 x 60mm (WxH) galvanized steel, powder coated
419.030.040	40 x 40mm (WxH) Plastics, light grey	419.034.900	125 x 80mm (WxH) Sheet steel cover, powder coated for the assembly to the PROFI profiles
419.030.110	110 x 60mm (WxH) Plastics, light grey		
419.031.000	40 x 40mm (WxH) Aluminium, anodized		
419.031.900	40 x 40mm (WxH) Aluminium, powder coated		



Rear side with stabilizer for free standing PROFI benches (not wall standing or back-to-back positioning). Recommended for benches with heavy bench racks and center of gravity concentrated to the rear side.

SET OF CORNER MOVERS

Corner movers enable to relocate heavy loads, such as laboratory benches on even floors.

- 4 pieces of corner movers, each with 3x swivel casters (75mm diameter).
- Made of 300x300mm triangled sheet steel tray, durable light grey powder coated.
- Rubbered slip-protection.
- Load capacity per set: 450kg (evenly loaded).

During transportation the load needs to be safeguarded!

Corner Movers

960.010.007

